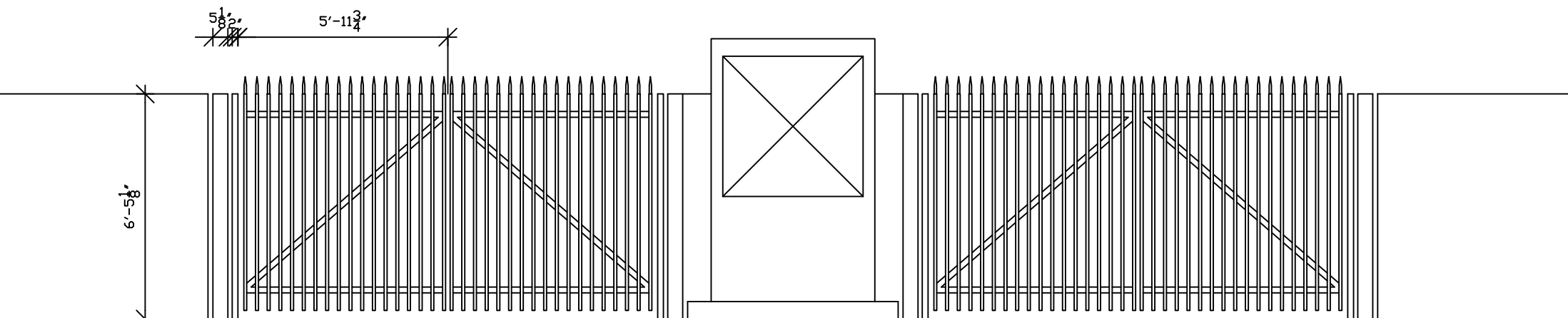


PLAN - GATE



ELEVATION - GATE

PROJECT  
 STATE BANK OF INDIA . ADMIN. OFFICE . GANDHINAGAR  
 COMPOUND GATE & GATE KEEPER CABIN

SCALE NOT TO SCALE  
 DATE 12/03/2024  
 DRAWN  
 CHECKED

ARCHITECT  
 MAHESH DESAI  
 ARCHITECTURE, INTERIOR DESIGN AND LANDSCAPE ARCHITECTURE  
 10TH FLOOR SUMERU NEAR PARIMAL RAILWAY CROSSING  
 PALDI AHMEDABAD-380 007. PHONE 98254 90858

DRG.NO.  
 10